

HDPMM Technical Specifications 15 to 24 feet

HDMI Premium® Certified Cable Assembly
Rev. 161007

Liberty's HDPMM Series are our full ATC certified HDMI Premium® rated cables. The newest HDMI cable specification is for 18G applications. 4K@60Hz with full Chroma sampling 4:4:4 and High Dynamic Range (HDR) support. This line of HDMI® cables support all HDMI requirements for cables and signal transport. These are completely traceable per the new HDMI requirements for the Premium certification.

Key Features:

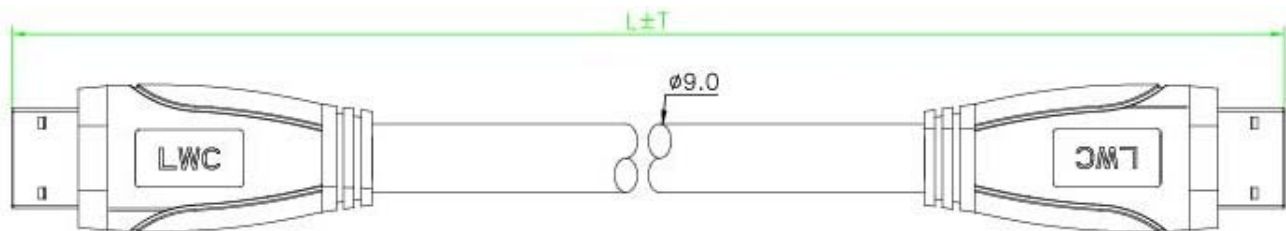
- HDMI Premium® full 18G Certified
- Full ATC Certification
- High retention HDMI plugs
- UL/CSA listed for in-wall use
- Convenient cable lengths

The HDPMM series is robustly constructed with 24 AWG tinned annealed copper conductors on the shielded TMDS pairs. The overall cable is dual shielded with a full coverage foil shield and an 85% coverage braided shield. Unlike many cables on the market, the connectors feature full shielding over the solder joints instead of drain wire under a pre-mold. These cables are fully shielded from connector shroud to connector shroud. All contact surfaces are gold plated for conductivity, durability, and resistance to tarnish. The high retention connectors increase the standard HDMI holding force up to 10 lbs. The jacketing is non-glossy extra flexible PVC for more flexibility in bending and routing in Residential and light commercial applications.

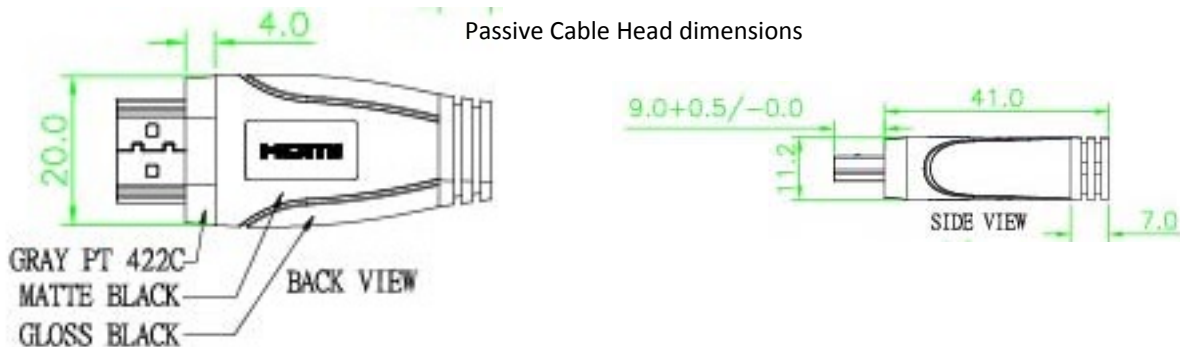
Lengths from 15 to 24 feet long are passive cables. There are No equalization chipsets and directional requirements on These lengths. These HDMI Premium® cables feature UL ratings on the bulk cable for CMG and Canadian CMG FT4, this is permissible for concealed installations per the requirements of the National Electric Code®. The product is Compliant to the requirements of the EU RoHS-2 2011/65/EU standard.

Key Applications:

- Residential Audio/Video
- Commercial Audio/Video
- Concealed (in-wall) installs
- Fixed installations



Passive Cable Head dimensions



Technical Specifications	
I/O Connections	
HDMI	Male HDMI Type A connector
HDMI Supported Video, Audio and Ethernet	
HDMI Maximum Video Compatibility	4K@60Hz 4:4:4 up to 24 feet, HDR Support
Video Compliance	HDMI, HDCP, and CEC (Consumer Electronics Control)
Embedded Audio	Up to 32 Audio Channels and up to 1536 KHz Audio Sampling
Minimum Bandwidth	18.0 Gbps
Ethernet	100 Mbps
Cable Construction	
HDMI Connector Features	HDMI "A" Male with up to 10 lbs high retention feature, gold plated
HDMI Molded Hood Construction	Metal RF Clamshell with pre-mold strain relief and copper RF shield. Over mold is two phase black with a gray nose
HDMI Molded Hood Dimensions	20.0x41x11.2mm
Jacket Material	Flexible Flame rated PVC with a matte black finish
Cable Construction	24 AWG Tinned Copper TMDS pairs, triple shielding shroud to shroud
Overall Cable Size	0.354" 9.0mm
Minimum Bend Radius	3.54" 90mm
Maximum Tensile Load	44Lbs 20Kg
Available Cable Lengths	15, 20, and 24 feet
Environmental Requirements	
Operating Temperature	0° to +75° C (+32° to +167° F)
Operating Humidity	20% to 85%, Non-condensing
Storage Temperature	-20° to +80° C (0° to +176° F)
Power and Regulatory	
Regulatory	NEC CMG, CEC CMG FT4, EU RoHS-2 2011/65/EU Compliant
HDMI®	HDMI Premium® Certified

Liberty Wire & Cable specifications are subject to change without notice. Contact an account representative for current product specifications. Liberty Wire & Cable continuously strives to ensure product specifications are accurate and complete. All physical specifications are nominal.

National Electric Code® is a registered trademark of the National Fire Protection Agency (NFPA)

NEC® is a registered trademark of the National Fire Protection Agency (NFPA)

HDMI® is a registered trademark of HDMI, LLC

High Definition Multimedia Interface® is a registered trademark of HDMI, LLC